

## Miniature Pan & Tilt Pedestal

Designed for interior use, our Miniature Pan & Tilt Pedestals are ideal for remote locations where space is limited and battery operation is the best option.

Three models accommodate different applications and needs. The smallest is the 8004000. The second model, 8004102, has virtually no backlash. The standard controller for these two units is a single speed DTMF board which accepts tones from telephone or two way radio and converts them into commands. An optional joystick controller is available. Model 8004103 provides RS-232 feedback and can be controlled using software developed by NSM Surveillance.

All three units covers 0° to 350° in azimuth and -90° to +90° in elevation. They have adjustable limits every 15° in elevation and every 90° depending on the location of the limit screws in azimuth.



*Miniature Joystick controller operates pedestal system*

### Standard Features

- Lightweight and compact
- Available with zero backlash
- Hard Black Anodized Finish
- Optional DTMF controller or RS-232 feedback with computer controller



Model 8004102 features 8 pound camera loads and virtually zero backlash (camera and lens not included)

### SPECIFICATIONS

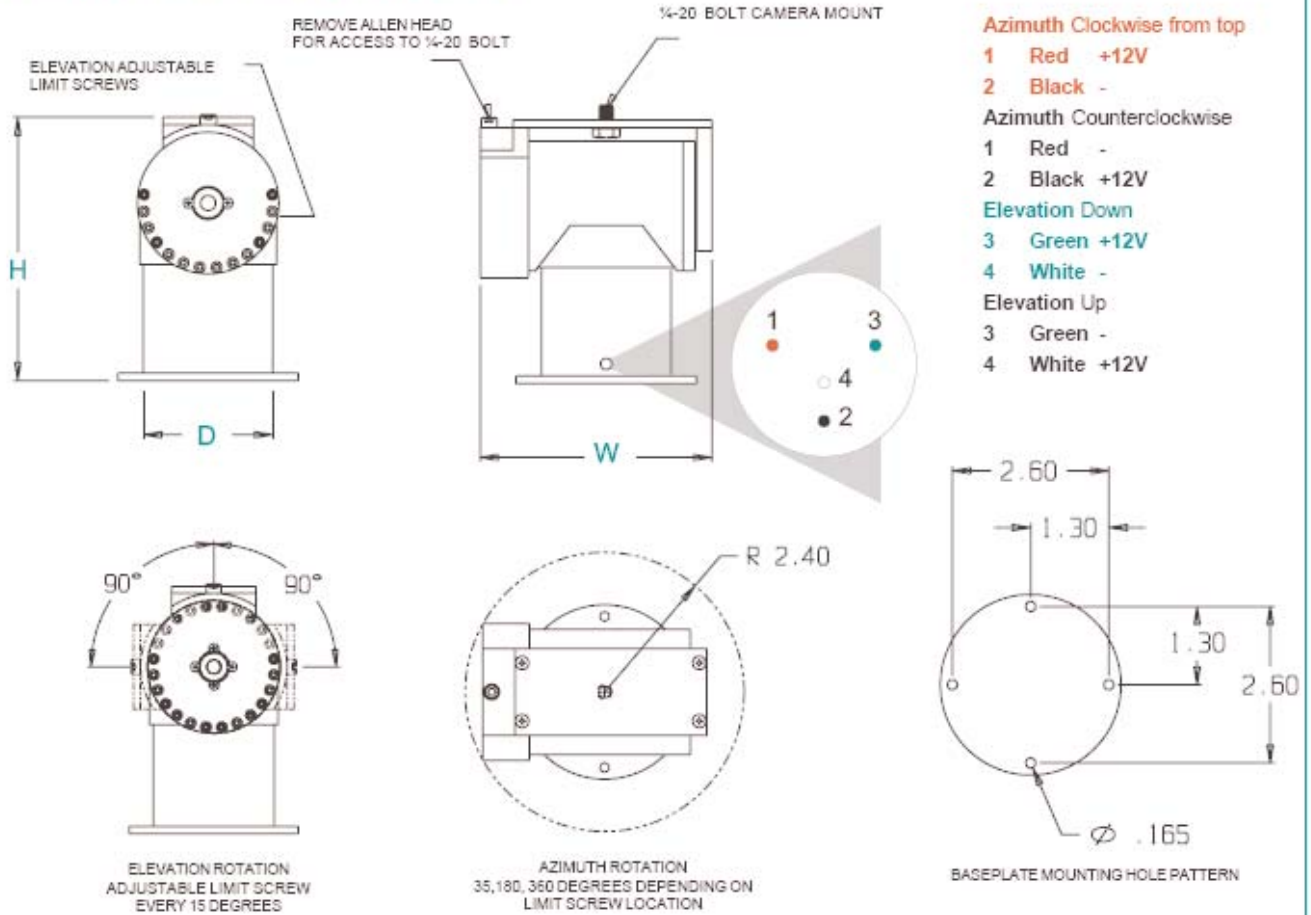
Rotation	.....	0-355° AZ; +/-90° EL
Torque		
Model 8004000	.....	.7 in-lbs
Models 8004102/4103	.....	.16 in-lbs
Speed (deg per sec)	.....	2.0° AZ; 3.0° EL
Duty Cycle	.....	Intermittent
Motor	.....	.12 VDC
Drive System	.....	Spur gear
Backlash		
Models 8004102/4103 only	.....	<1°
Bearings	.....	Ball
Adjustable Limit Switches	.....	Every 90° Az; Every 7° EL
Power	.....	.12 FDC, 300 mA (max)
Dimensions		
Model 8004000	.....	.4.55"Hx4.20"Wx2.15"D
Model 8004102	.....	.5.55"Hx4.45"Wx2.15"D
Model 8004103	.....	.6.55"Hx4.90"Wx2.15"D



### OPERATION

*These controls are available when using the optional Dual Speed DTMF Board. The DTMF Board is a decoder that operates on tones from a two-way radio or telephone. The keys are factory programmed and can be customized by special request.*

# DIMENSIONAL DRAWINGS

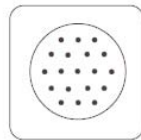


Model 8004103 is computer controllable

In addition to the standard functions, the computer provides a continuous display of the pedestal's position within <.5 degrees.

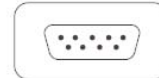
## RS-232 CONTROL BOX PIN OUT

### PEDESTAL/LENS CONTROL



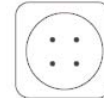
- PIN
- A - RIGHT
  - B - LEFT
  - C - AZ SENSE
  - D - +5 V
  - E - GND
  - F - UP
  - G - DOWN
  - H - EL SENSE
  - J - +5 V
  - K - GND
  - L - ZOOM LENS 2
  - M - FOCUS LENS 2
  - N - IRIS LENS 2
  - P - COM LENS 2
  - S - ZOOM LENS 1
  - T - FOCUS LENS 1
  - U - IRIS LENS 1
  - V - COM LENS 1

### RS-232 INPUT



- PIN
- 2 - TRANSMIT
  - 3 - RECEIVE
  - 5 - GROUND

### DC INPUT



- PIN
- A - +12 V
  - B - N/C
  - C - GROUND
  - D - N/C

